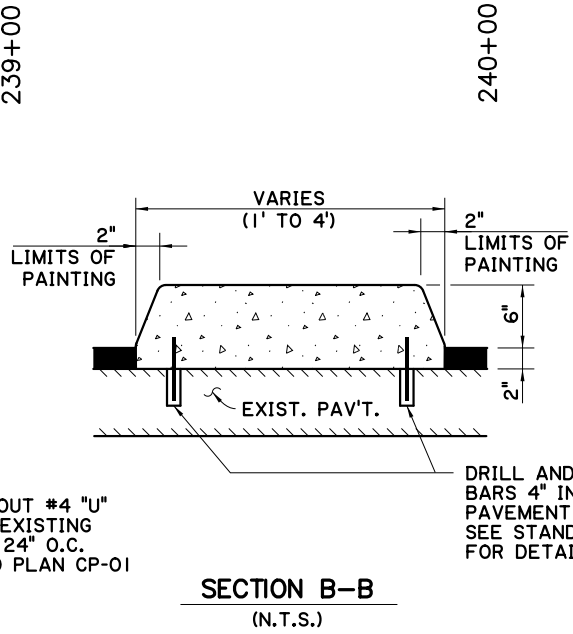


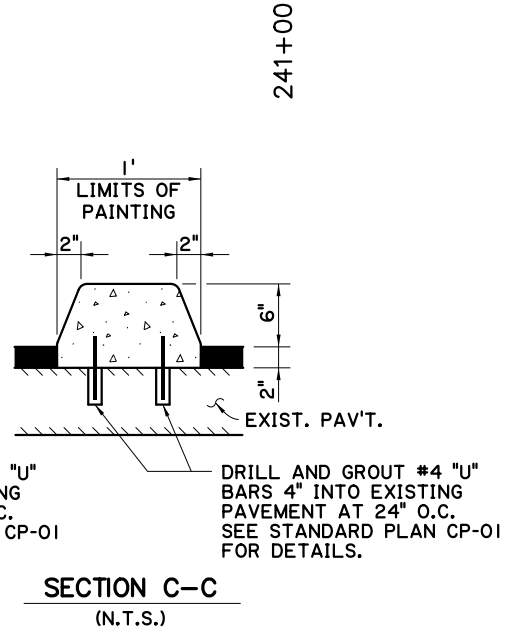
DRILL AND GROUT #4 "U" BARS 4" INTO EXISTING PAVEMENT AT 24" O.C. SEE STANDARD PLAN CP-01 FOR DETAILS.

SECTION A-A (N.T.S.)



DRILL AND GROUT #4 "U" BARS 4" INTO EXISTING PAVEMENT AT 24" O.C. SEE STANDARD PLAN CP-01 FOR DETAILS.

SECTION B-B (N.T.S.)



DRILL AND GROUT #4 "U" BARS 4" INTO EXISTING PAVEMENT AT 24" O.C. SEE STANDARD PLAN CP-01 FOR DETAILS.

SECTION C-C (N.T.S.)

SCALE 1"=20'

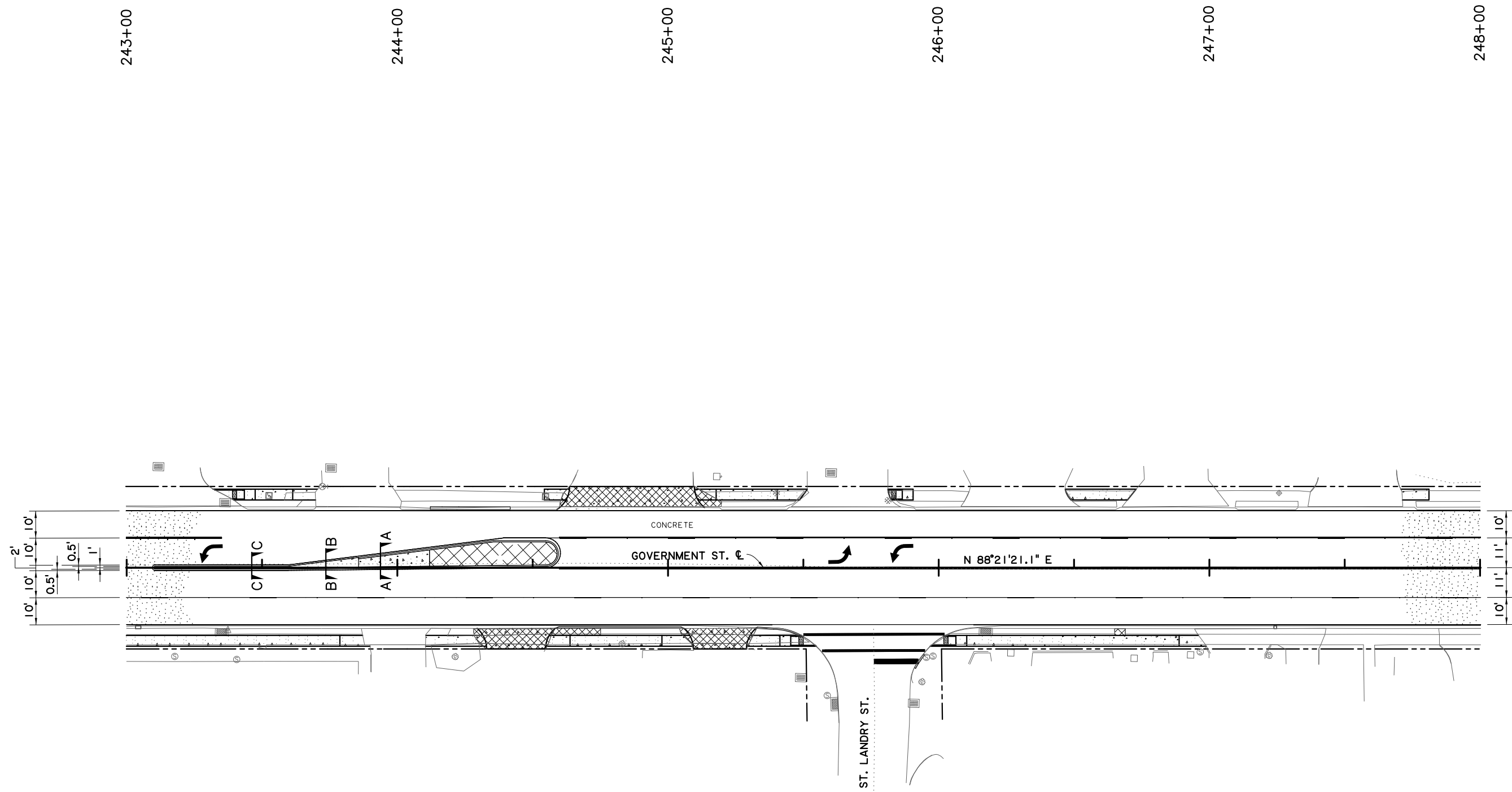
**95% FINAL PLANS**

<p><b>PRELIMINARY</b> NOT TO BE USED FOR CONSTRUCTION, BIDDING, RECORDATION, CONVEYANCE, SALES OR AS THE BASIS FOR THE ISSUANCE OF A PERMIT.</p>	<p style="text-align: center;"><b>Louisiana Department of Transportation and Development</b></p> <p>ENGINEER: CINDY M. HALL LICENSE #: 27073 DATE: 01-MAY-2017</p>
--	--

SHEET NUMBER	32	PARISH	EAST BATON ROUGE	CONTROL SECTION	077-05 & 000-17
DESIGNED	RAN	CHECKED	CMH	DRAFTER	KJH
NO.	DATE	NO.	DATE	NO.	DATE
REVISION OR CHANGE ORDER DESCRIPTION					
BY					
SERIES NUMBER					
29 OF 49					
STATE PROJECT					
H.O.11295					
PLAN SHEET					
GOVERNMENT ST.					
LA 73 (GOVT ST) EAST BLVD - LOBDELL AVE					

95% FINAL PLANS


F:\Projects\201802354.05\03 disciplines\highway\plan development\drawings\working\public letters-divider\_islands\0033\_pp.dgn01-MAY-2017 19:13



SCALE 1"=20'

95% FINAL PLANS

<p><b>PRELIMINARY</b> NOT TO BE USED FOR CONSTRUCTION, BIDDING, RECORDATION, CONVEYANCE, SALES OR AS THE BASIS FOR THE ISSUANCE OF A PERMIT.</p>	<p>Louisiana Department of Transportation and Development</p>
	<p>ENGINEER: CINDY M. HALL LICENSE #: 27073 DATE: 01-MAY-2017</p>
	<p>LA 73 (GOVT ST) EAST BLVD - LOBBELL AVE</p>

<b>DOTD</b>	<b>Stantec</b>	<p><b>PLAN SHEET</b> GOVERNMENT STREET LA 73 (GOVT ST) EAST BLVD - LOBBELL AVE</p>		<p>DESIGNED CHECKED CMH</p> <p>DETAILED CHECKED CMH</p> <p>SERIES NUMBER 30 OF 49</p>	<p>PARISH CONTROL SECTION STATE PROJECT</p>	<p>EAST BATON ROUGE 077-05 &amp; 000-17 H.O.I   295</p>	<p>SHEET NUMBER 33</p>
<p>REVISION OR CHANGE ORDER DESCRIPTION</p>			<p>NO. DATE</p>		<p>BY</p>		